

INSIDE THIS ISSUE

PG. 2

WEEK SYNOPSES

SPONSOR SPOTLIGHT

PG. 3

2025 GAME: REEFSCAPE

PG. 4

DEPARTMENTS UPDATED

PG. 5

CAD DESIGNS

PG. 6

TEAM SPOTLIGHTS

MENTOR SPOTLIGHTS



TEAM 223 XTREME HEAT

GRACIOUS PROFESSIONALISM:

THE *FIRST* ETHOS OF *GRACIOUS PROFESSIONALISM* ENCOURAGES HIGH-QUALITY WORK, EMPHASIZES THE VALUE OF OTHERS, AND RESPECTS INDIVIDUALS AND THE COMMUNITY IN PURSUIT OF A MEANINGFUL LIFE.

“THINK OF *FIRST* AS A CATALYST IN A CHAIN REACTION. EACH COLLISION RELEASES HUMAN POTENTIAL WHICH FEEDS AN EXPONENTIAL EXPANSION OF ADDITIONAL HUMAN POTENTIAL. *FIRST* STUDENTS SEIZE THIS OPPORTUNITY BY BEING INFORMED, BEING CREATIVE, AND THINKING HARD – ALL THREE, ALL THE TIME.

– DR. WOODIE FLOWERS

Johnson & Johnson

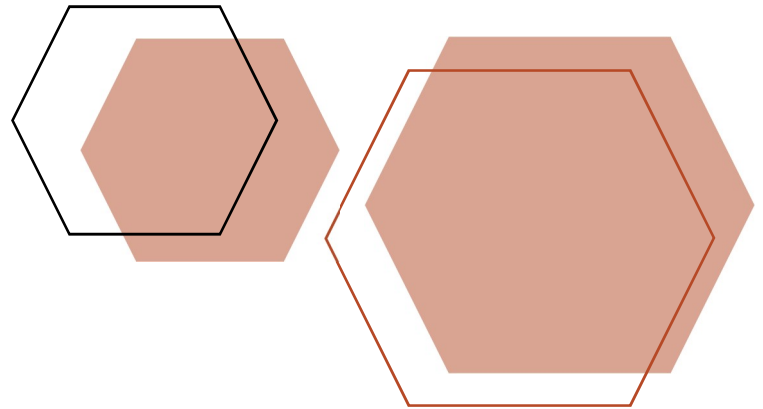
SPONSOR SPOTLIGHT: A HUGE THANK YOU TO JOHNSON AND JOHNSON FOR THEIR CONTINUED SUPPORT FOR RUNNING OUR ANNUAL GOLF OUTING!



WEEK SYNOPSIS

WEEK 1

STARTING WITH THE KICK OFF, EVERYONE READ THE GAME MANUAL AND COMBINED FORCES TO THINK OF STRATEGIES AND SOLUTIONS FOR OUR NEW GAME, REEFSCAPE. GOING INTO WEEK 1, THE IDEAS THAT HAD BEEN FORMED DURING THE KICK OFF WERE USED TO CONSIDER STRATEGY, DESIGN ELEMENTS, WORKING ON BUILDING A PRACTICE COURSE, AND TO LOOK FOR INSPIRATION FROM OTHER RESOURCES. OUR BUSINESS TEAM WAS ALSO HARD AT WORK COLLECTING PHOTOS AND VIDEOS, SOCIAL MEDIA MARKETING, AND BEGAN WORKING ON OUR SUBMISSION FOR THE WOODIE FLOWERS AWARD.



WEEK 2

DURING WEEK 2, EVERYONE HAS BEEN HARD AT WORK. THE BUSINESS DEPARTMENT HAS COME UP WITH THE T-SHIRT CONCEPT, FINISHED WORKING ON THE WOODIE FLOWERS AWARD SUBMISSION, AND CREATING THIS NEWSLETTER. THE DESIGN AND BUILDING DEPARTMENT HAS BEEN WORKING ON A NEW KITBOT FOR THIS SEASON. THEY HAVE ALSO BEEN WORKING ON A CORAL SHOOTER. THE PROGRAMMING DEPARTMENT HAS BEEN WORKING ON A NEW SCOUTING PROGRAM.

REEFSCAPESM

PRESENTED BY 
Gene Haas Foundation

2025 SEASON *FIRST* ROBOTICS CHALLENGE

REEFSCAPE

FIRST ANNUALLY CREATES AN ENGINEERING GAME TO CHALLENGE HIGH SCHOOL STUDENTS. THEY PROMOTE USEFUL EVERYDAY SKILLS LIKE: DEVELOP STRATEGY SKILLS, ELEMENTS OF TEAMWORK, LEADERSHIP SKILLS AND MOST IMPORTANTLY, THE IDEA OF GRACIOUS PROFESSIONALISM. FIRST RELEASES A GAME REVEAL VIDEO ALONG WITH OTHER HELPFUL TOOLS ON A SPECIFIED DATE EACH YEAR WHICH THEN BEGINS THE 6 WEEK BUILD SEASON. THIS YEAR'S GAME, REEFSCAPE WAS RELEASED ON SATURDAY, JANUARY 4TH. THE STUDENTS ON XTREME HEAT 223 GATHERED AROUND THE SCREEN PROJECTION TO SEE THIS SEASON'S CHALLENGE. AFTER THE REVEAL, THEY ALL READ THE GAME MANUAL IN ORDER TO UNDERSTAND THE FINE DETAILS. THEY CONSIDERED RULES, PENALTIES, OBJECTIVES, SCORING METHODS, AND POSSIBLE OUTCOMES. THE BUILD TEAM WAS ALSO BRAINSTORMING POSSIBLE COMPONENTS TO INCLUDE ON THE ROBOT.



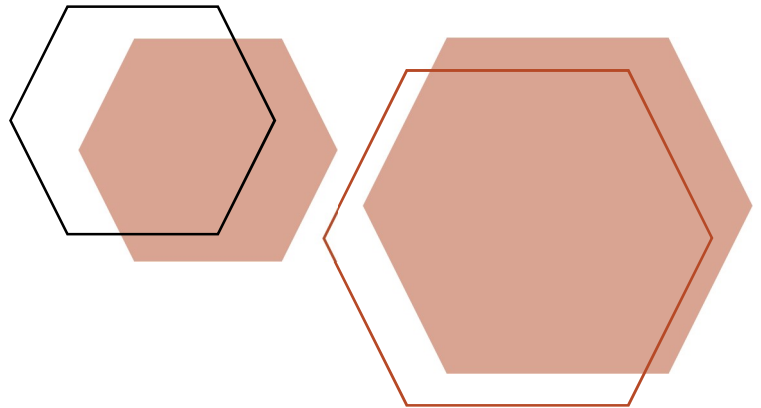
DEPARTMENTS UPDATED

DESIGN & BUILDING

- LOOK FOR INSPIRATION IN OTHER RESOURCES
- LEARNING HOW TO BUILD KITBOT
- BUILDING A KITBOT
- BUILDING FRAME OF ROBOT
- LASER CUTTING WOOD
- PROTOTYPING

STRATEGY

- BRAINSTORM POSSIBILITIES OF TASKS OUR ROBOT WILL COMPLETE



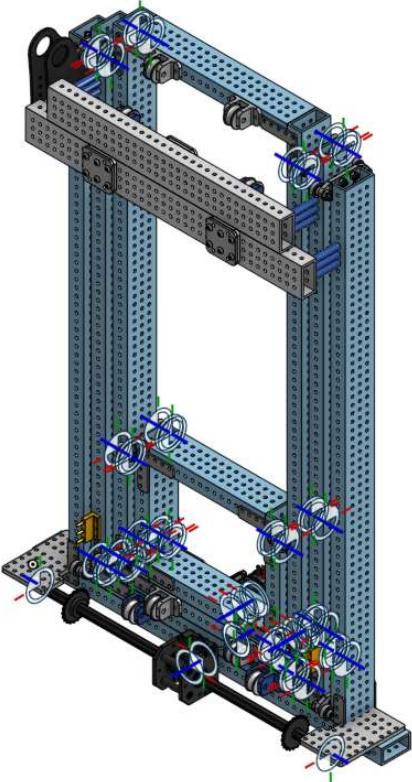
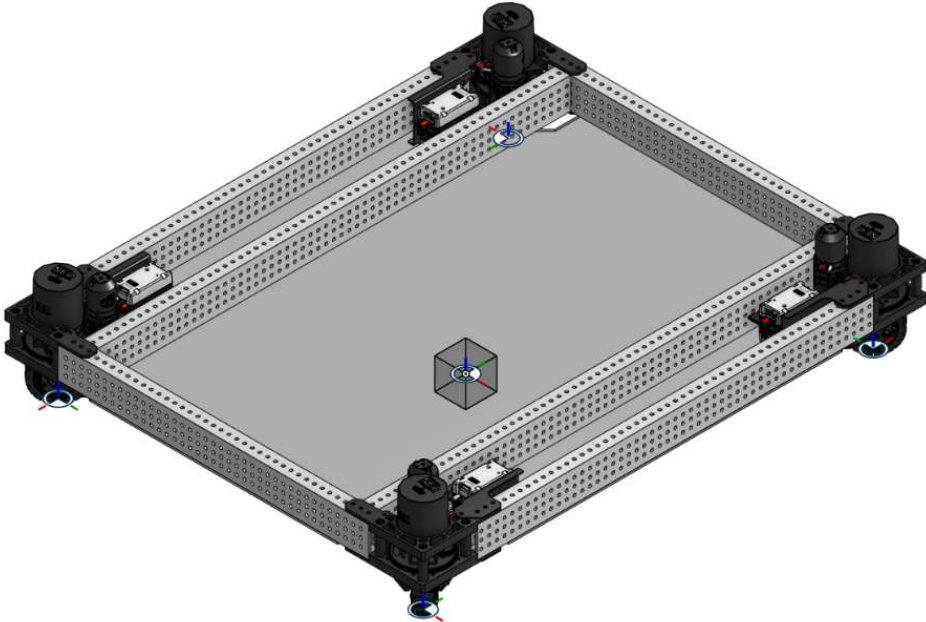
BUSINESS

- WOODIE FLOWERS AWARD ESSAY
- DESIGNING WEBSITE
- NEWSLETTER COMPOSITION
- LOGO/ T-SHIRT DESIGNING/CREATING
- SOCIAL MEDIA MARKETING

PROGRAMMING

- CREATING THE SCOUTING PROGRAM
- COLLABORATING WITH TEAM 1676 TO OBTAIN A WORKING CODE

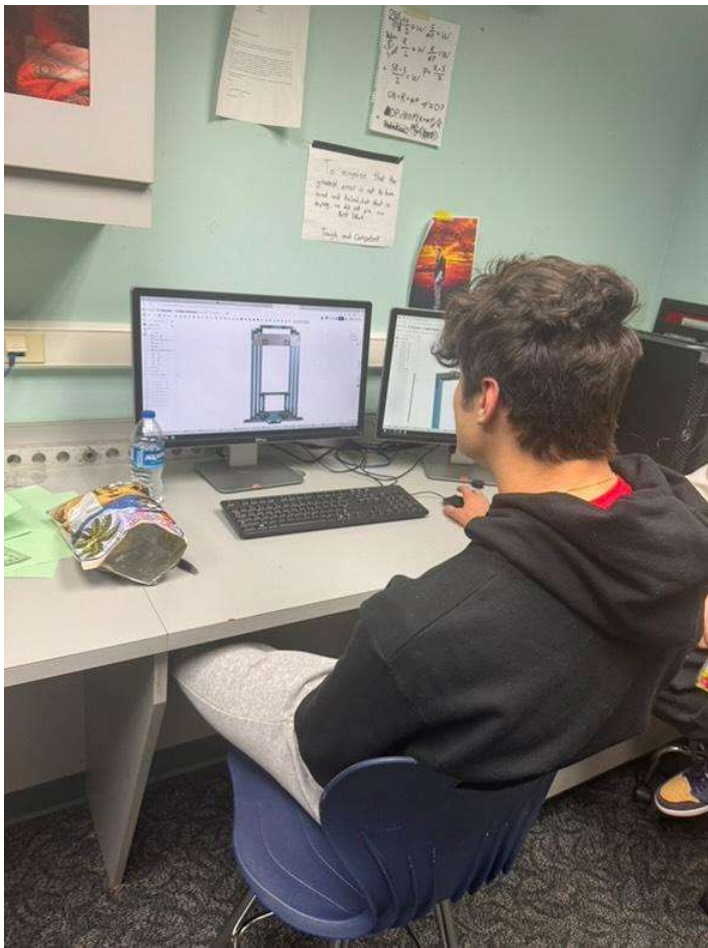
CAD DESIGNS



MENTOR SPOTLIGHT

TYLER GUAHAROU

MY NAME IS TYLER. I AM A MENTOR FOR THE TEAM AND I DISCOVERED THE TEAM AT THE CLUB FAIR MY FRESHMAN YEAR. I JOINED BECAUSE I HAVE ALWAYS HAD A PASSION FOR ENGINEERING AND ROBOTICS. WHEN I WAS YOUNG I HAD A LEGO ROBOTICS KIT THAT I USED TO MAKE ALL KINDS OF MECHANISMS FOR MY HOUSE. AT ONE POINT I HAD MADE A ROOMBA OUT OF LEGOS. JOINING TEAM 223 WAS MY NEXT EVOLUTION. I HELP THE TEAM IN ANY WAY I CAN. THIS USUALLY COMES FROM HELPING STUDENTS DESIGN AND BUILD THE ROBOT. I DO THIS BY HELPING THEM WITH ISSUES THEY ARE HAVING OR SHOWING THEM HOW TO ACCOMPLISH A TASK BUT TRULY UNDERSTAND WHY WE MADE THE DECISION WE DID FOR THAT TASK. A FUN FACT ABOUT ME IS THAT I DESIGN HOME THEATERS FOR PEOPLE AND ALSO HAVE ONE OF MY OWN.



STUDENT SPOTLIGHT

JULIA U

MY NAME IS JULIA URBAN. I AM A SENIOR AND THIS IS MY SECOND YEAR ON TEAM 223. I HEARD ABOUT THE TEAM THROUGH A FRIEND, ERIN SUSEN, AND WE BOTH DECIDED TO JOIN THE TEAM TOGETHER. MY FAVORITE MEMORY ON THE TEAM WAS CHEERING ON MY TEAM AT THE LEHIGH CHAMPIONSHIP COMPETITION. EVERYONE WAS GENUINELY SO EXCITED TO BE ABLE TO COMPETE AND MEET NEW PEOPLE AT THE COMPETITION. I AM A MEMBER OF THE BUSINESS DEPARTMENT. I HAVE LEARNED MANAGEMENT SKILLS BY DELEGATING TASKS AND MARKETING STRATEGIES THROUGH MARKET RESEARCH. SO FAR THIS SEASON, WE HAVE COLLECTED IDEAS FOR OUR SOCIAL MEDIA POSTS AND BEEN WORKING ON SUBMITTING AWARDS FOR THIS UPCOMING SEASON. I WOULD LOVE TO MAKE IT TO LEHIGH AGAIN THIS YEAR, AND I HOPE TO MEET EVEN MORE NEW PEOPLE AT THE NEXT FEW COMPETITIONS.

STUDENT SPOTLIGHT

VINCENT D

MY NAME IS VINCENT D'ORILIA. I AM A SENIOR AND THIS IS MY SECOND YEAR ON THE TEAM, AFTER MR. COREN GOT ME TO JOIN. I AM CAPTAIN OF THE DESIGN TEAM AND A PART OF THE DRIVE TEAM AS THE OPERATOR. SOME OF THE THINGS I'VE LEARNED BY BEING ON THE ROBOTICS TEAM ARE, HOW THE FULL DESIGN AND FABRICATION PROCESSES OVERLAP ONE ANOTHER AND HOW THEY WORK IN THE REAL WORLD, AND HOW TO WORK WELL IN A TEAM ENVIRONMENT. I ALSO LEARNED THE IMPORTANCE OF BEING ABLE TO PROBLEM SOLVE AND HOW TO DO IT WELL. MY FAVORITE MEMORY FROM ROBOTICS IS GETTING PICKED FOR AN ALLIANCE AT LEHIGH. THINGS I HAVE WORKED ON THIS WEEK INCLUDE PROTOTYPING ALGAE MANIPULATOR AND DESIGNING A 3 STAGE ELEVATOR. THIS SEASON I WANT TO MAKE IT TO LEHIGH AGAIN. LASTLY, SOME THINGS I LOVE ABOUT THE TEAM ARE HOW WE ALL WORK TOGETHER AND HOW MUCH I LEARN FROM BEING HERE.



THANK YOU FOR SUPPORTING OUR TEAM!

CONTACT US

FRC TEAM 223 XTREME HEAT

CONTACT PERSON: RANDY COREN

205 CONKLINTOWN ROAD, WANAQUE, NJ, 07465

973-835-1900 EXT. 798

TEAM223@LAKELAND.K12.NJ.US

TEAM223.COM

INSTAGRAM: @XTREMEHEAT223

TIKTOK: @XTREMEHEAT223

