

INSIDE THIS ISSUE

PG. 2

WEEK SYNOPSES

SPONSOR SPOTLIGHT

PG. 3

TEAM CALENDAR

PG. 4

DEPARTMENTS UPDATED

CAD

PG. 5

PARENT UPDATES

PG. 6

TEAM SPOTLIGHTS



TEAM 223 XTREME HEAT

GRACIOUS PROFESSIONALISM:

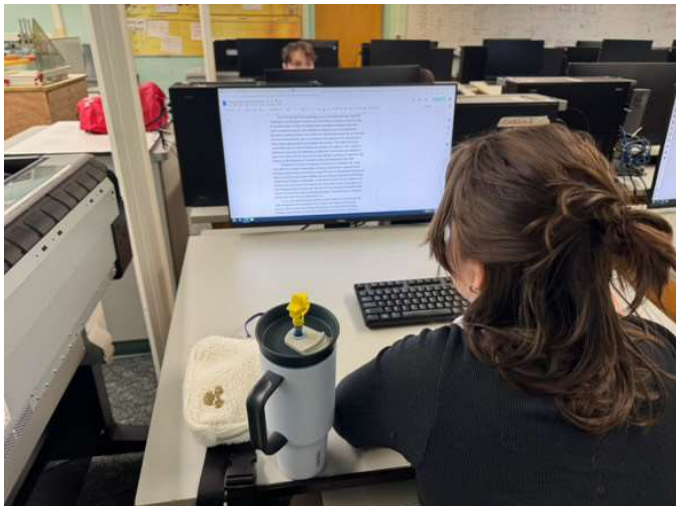
THE *FIRST* ETHOS OF *GRACIOUS PROFESSIONALISM* ENCOURAGES HIGH-QUALITY WORK, EMPHASIZES THE VALUE OF OTHERS, AND RESPECTS INDIVIDUALS AND THE COMMUNITY IN PURSUIT OF A MEANINGFUL LIFE.

“THINK OF *FIRST* AS A CATALYST IN A CHAIN REACTION. EACH COLLISION RELEASES HUMAN POTENTIAL WHICH FEEDS AN EXPONENTIAL EXPANSION OF ADDITIONAL HUMAN POTENTIAL. *FIRST* STUDENTS SEIZE THIS OPPORTUNITY BY BEING INFORMED, BEING CREATIVE, AND THINKING HARD – ALL THREE, ALL THE TIME.

– DR. WOODIE FLOWERS



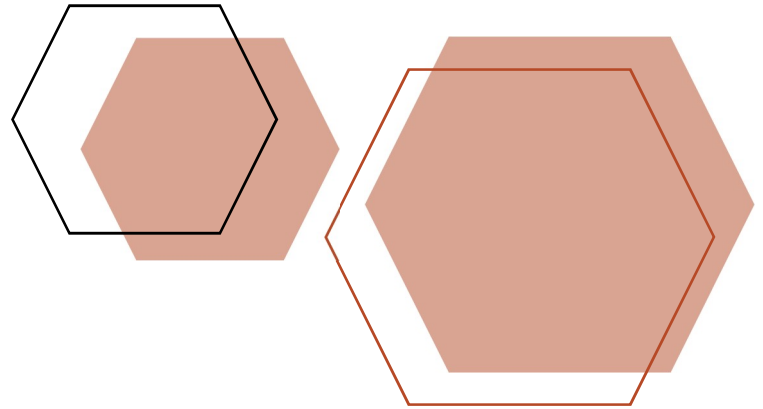
SPONSOR SPOTLIGHT:



WEEK SYNOPSSES

WEEK 3

WE HAVE MADE A LOT OF PROGRESS THIS WEEK. THE BUILD TEAM HAS CONTINUED TO WORK ON THE KITBOT SPECIFICALLY ON THE TOP FRAME. PROGRAMMING HAS BEEN TEACHING NEW MEMBERS SOME WIRING WORK, WHICH HAS BEEN GOING SMOOTHLY. THEY ALSO HAVE BEEN PATH PLANNING. CAD HAS BEEN DESIGNING AN ARM FOR THE ROBOT, AND A CORAL FEEDER. THE BUSINESS DEPARTMENT HAS BEEN WORKING TO FINALIZE THE WOODIE FLOWERS AWARD NOMINATION, ALONG WITH POSTING ON OUR SOCIAL MEDIA.



WEEK 4

DURING WEEK FOUR, EVERYONE HAS BEEN HARD AT WORK. BUSINESS HAS FINISHED SUBMITTING THE WOODIE FLOWERS AWARD FOR THIS SEASON. THE LOGO FOR THIS SEASON IS ALSO BEING WORKED ON AND IS COMING TOGETHER. WE HAVE ALSO BEEN UPDATING THE TEAM 223 WEBSITE. THE ELEVATOR HAS KEPT CAD BUSY, AND PROGRAMMING CONTINUED WHERE THEY LEFT OFF LAST WEEK WITH TEACHING WIRING AND PATH PLANNED. THE KITBOT IS STILL BEING WORKED ON, AND HOPEFULLY FINISHED SOON.

TEAM 223 CALENDAR OF EVENTS

MARCH 7-9 – FMA DISTRICT MOUNT OLIVE EVENT

MOUNT OLIVE HIGH SCHOOL

MARCH 14-16 – FMA DISTRICT ROBBINSVILLE EVENT

ROBBINSVILLE HIGH SCHOOL

APRIL 2-5 – FIRST MID-ATLANTIC DISTRICT CHAMPIONSHIP

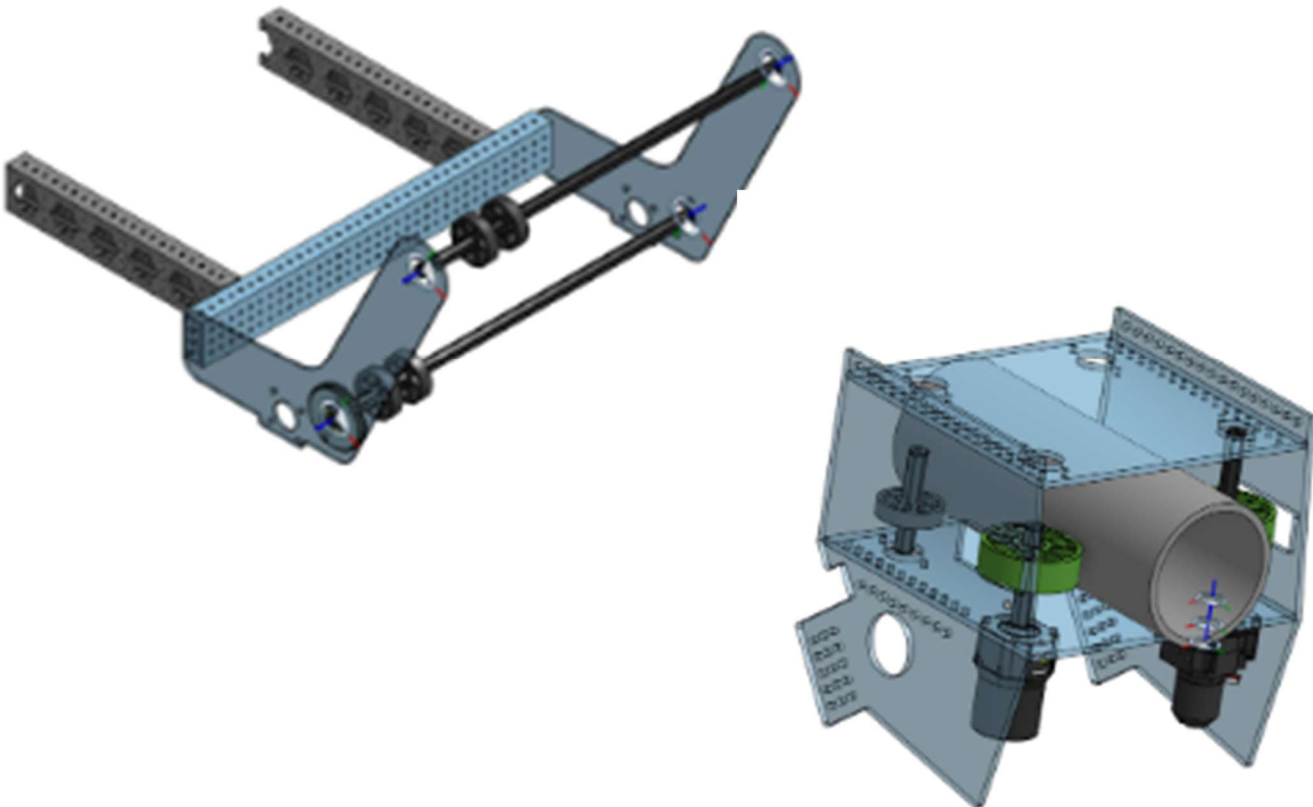
(UPON QUALIFICATION)

LEHIGH UNIVERSITY

APRIL 16-19 – FIRST CHAMPIONSHIP (UPON QUALIFICATION)

HOUSTON, TX, USA

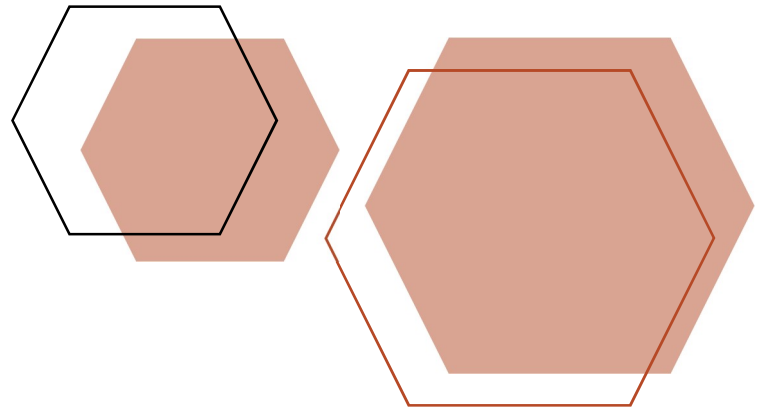
CAD



DEPARTMENTS UPDATED

DESIGN & BUILDING

- CONTINUING THE KITBOT
- WORKING ON THE TOP FRAME OF THE KITBOT
- WORKING ON KITBOT DRIVE TRAIN



BUSINESS

- WOODIE FLOWERS AWARD ESSAY
- WEBSITE DESIGN
- LOGO DESIGN
- NEWSLETTER COMPOSITION
- SOCIAL MEDIA MARKETING
- THANK YOU EMAIL FOR SPONSORS

PROGRAMMING

- WIRING WORK
- PATH PLANNER

CAD

- ELEVATOR
- ARM AND CORAL FEEDER





PARENT UPDATES

HELLO ALL,

WE ARE LOOKING FOR VOLUNTEERS TO FEED THE TEAM! IF INTERESTED PLEASE FEEL FREE TO SIGN UP.

PLEASE USE THIS [LINK](#)

ALONG WITH MEALS, WE CAN ALWAYS USE INDIVIDUALLY WRAPPED SNACKS (CHIPS, GRANOLA BARS, COOKIES, CRACKERS) AND DRINKS (WATER, SODA) FOR THEIR AFTERNOON SESSIONS.

ALL DONATIONS ARE GREATLY APPRECIATED BY THE TEAM! THIS WOULD NOT BE POSSIBLE WITHOUT ALL OF YOU.



MENTOR SPOTLIGHT

JIM COLAMARINO

MY NAME IS JIM COLAMARINO, AND THIS WILL BE MY FOURTH YEAR WORKING WITH THE TEAM. I AM A MENTOR, AND I MOSTLY WORK WITH THE BUILD AND DESIGN TEAM. I LEARNED ABOUT THE TEAM WHEN MY DAUGHTER STARTED TO ATTEND LRHS. HER SOPHOMORE YEAR I STARTED HELPING THE TEAM. IT WAS AN HONOR TO WORK ALONGSIDE MY DAUGHTER DURING HER HIGH SCHOOL CAREER AND THIS TEAM WORKS AMAZINGLY TOGETHER. MY FAVORITE MEMORIES ARE WHEN VINNY WORE THE FLAME HAT ON THE FIELD AND WHEN LILY AND AMANDA TAPED EYEBROWS ON KEN WHILE HE WAS NAPPING IN THE PITS.



STUDENT SPOTLIGHT

AUDREY H

MY NAME IS AUDREY. I AM A SOPHOMORE AND HAVE BEEN A MEMBER OF THE BUILD TEAM FOR TWO YEARS. MY OLDER SISTER WAS ON THE TEAM FOR THREE YEARS, SO I HEARD ABOUT IT THROUGH HER. MY FAVORITE MEMORIES ARE TRAVELING TO COMPETITIONS WITH THE TEAM AND GETTING TO LEARN SO MUCH ABOUT BUILDING AND ENGINEERING. SO FAR, I HAVE HELPED TO TEACH NEW MEMBERS HOW TO USE THE DIFFERENT TOOLS WHILE BUILDING PARTS OF THE KITBOT. I WOULD LIKE TO BE MORE ENGAGED IN THE WORK THIS YEAR AND TO BE ONE OF THE MEMBERS IN THE PITS. I LIKE THAT I HAVE MADE NEW FRIENDS, AND I LIKE THAT I GET TO LEARN HOW TO USE TOOLS, SINCE I HOPE TO BECOME A MECHANICAL ENGINEER IN THE FUTURE.

STUDENT SPOTLIGHT

ERIN S

MY NAME IS ERIN SUSEN. I AM A SENIOR AND THIS IS MY SECOND YEAR ON THE TEAM. I FOUND OUT ABOUT THE TEAM THROUGH MY BROTHER WHO GRADUATED LAST YEAR. I THINK MY FAVORITE MEMORY WAS GOING TO LEHIGH AND MEETING KIDS FROM THE OTHER TEAMS WHO SHARED THE SAME EXCITEMENT THAT I DID. I AM A PART OF THE BUSINESS DEPARTMENT AND ONE THING I HAVE DONE SO FAR THIS SEASON IS WORKING ON THE AWARDS WE ARE GOING TO SUBMIT. I WOULD LOVE IT IF WE COULD MAKE IT TO LEHIGH THIS YEAR AND I'M EXCITED TO MEET MORE NEW PEOPLE THIS YEAR.

THANK YOU FOR SUPPORTING OUR TEAM!

CONTACT US

FRC TEAM 223 XTREME HEAT

CONTACT PERSON: RANDY COREN

205 CONKLINTOWN ROAD, WANAQUE, NJ, 07465

973-835-1900 EXT. 798

TEAM223@LAKELAND.K12.NJ.US

TEAM223.COM

INSTAGRAM: @XTREMEHEAT223

TIKTOK: @XTREMEHEAT223

